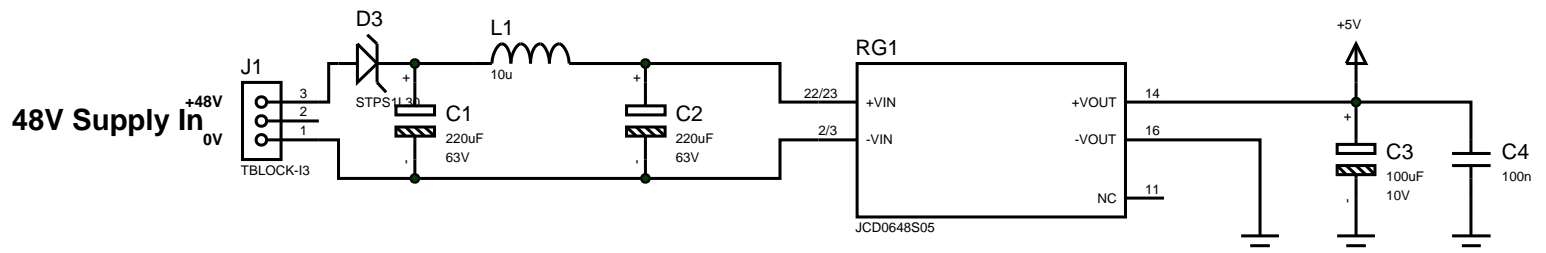
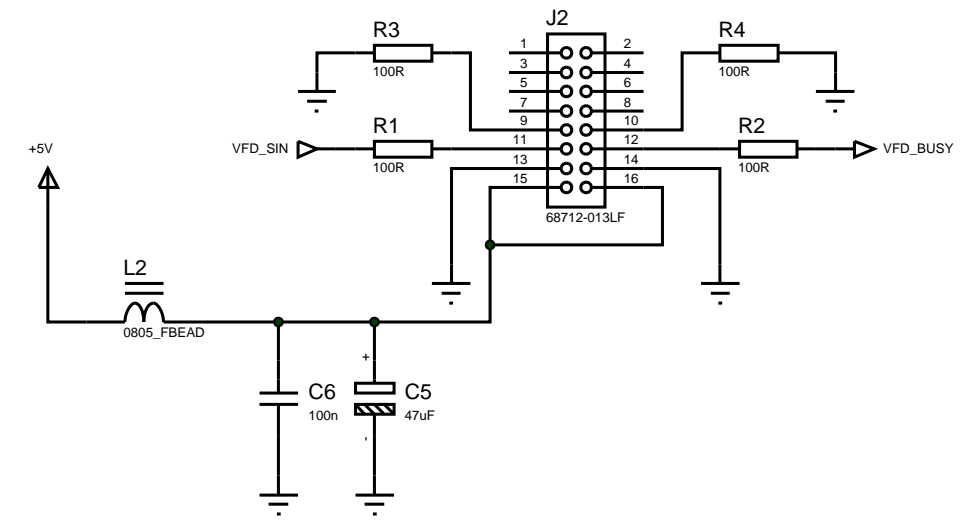


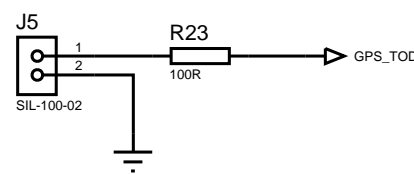
+48V to +5V Power Supply



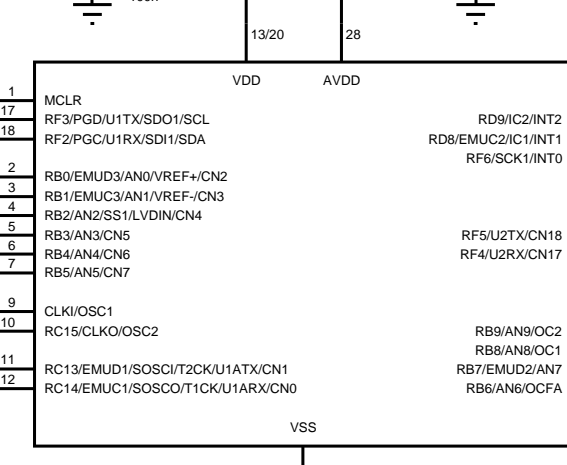
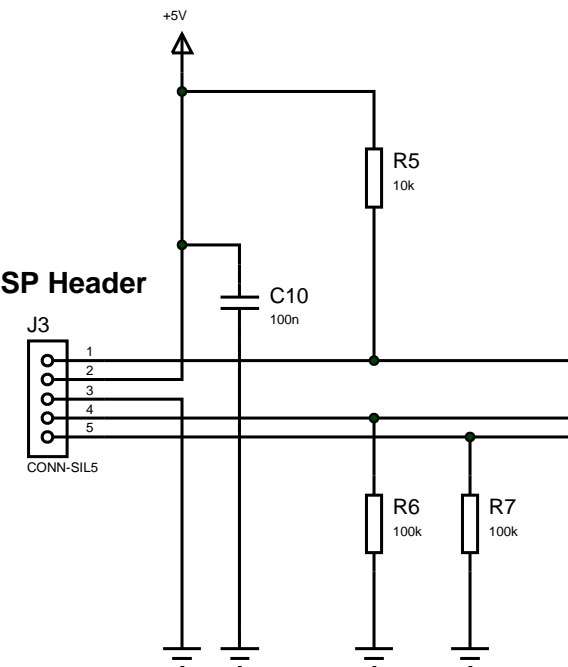
VFD Interface



GPS RS232 Input



ICSP Header



RS485 Interface

